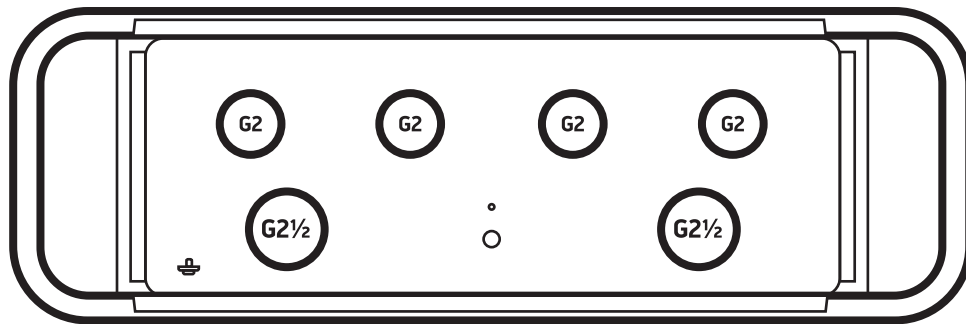
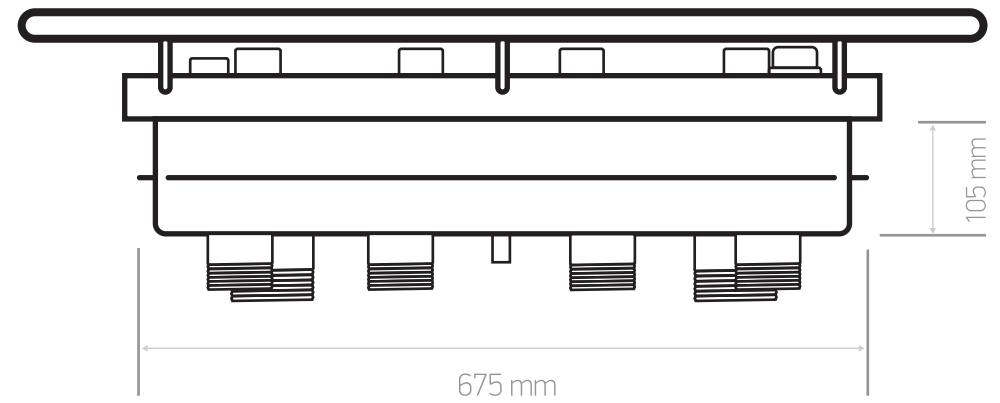
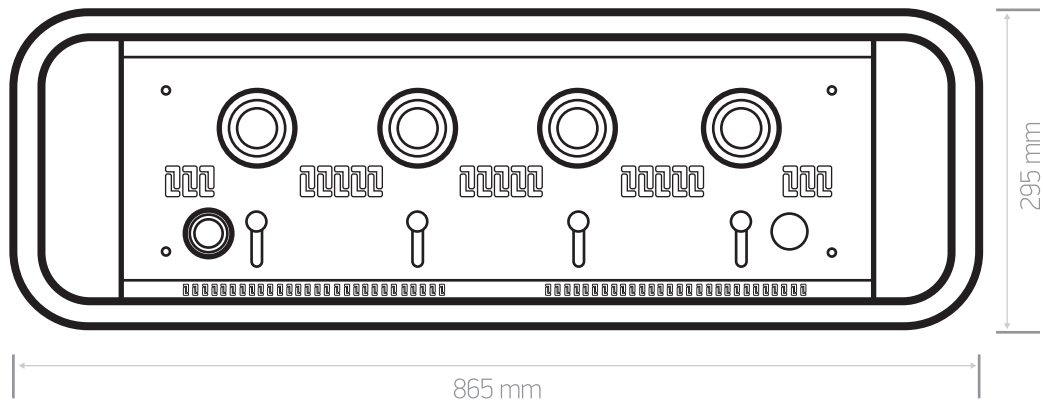




KRAFT 4

FONTA

Optimum choice considering to quality, economy, fast service and design



Set include

- Concrete part
- Front part with handle
- Flange
- Acid proof gaskets
- Screws
- Air button

Description

- Set fits concrete and linear pools
- All stainless steel parts are made of marine A316 grade
- Widely adjustable jet nozzles
- Ergonomic 25 mm diameter handrail
- Independent adjustment for each water stream
- Nozzle output diameter is 37 mm
- Recommended debit flow not less than 120 m³/hr
- We recommend to use two pumps for this unit.