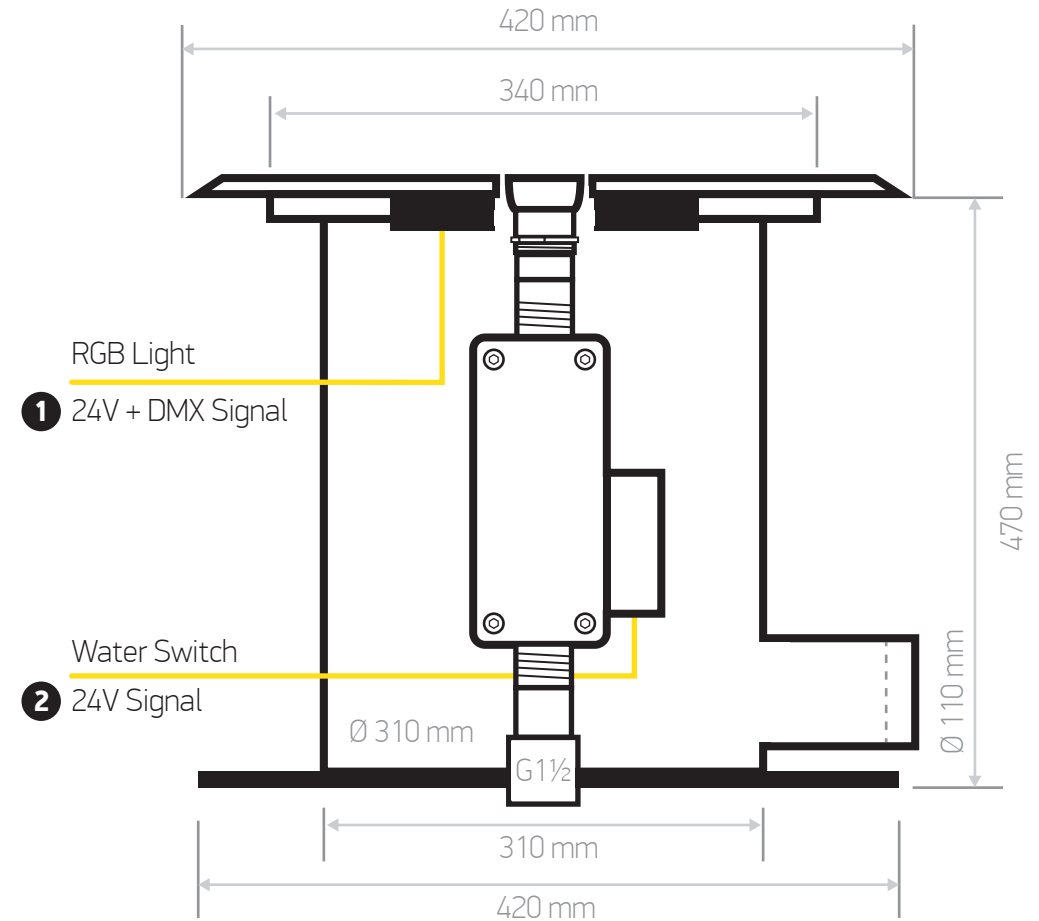
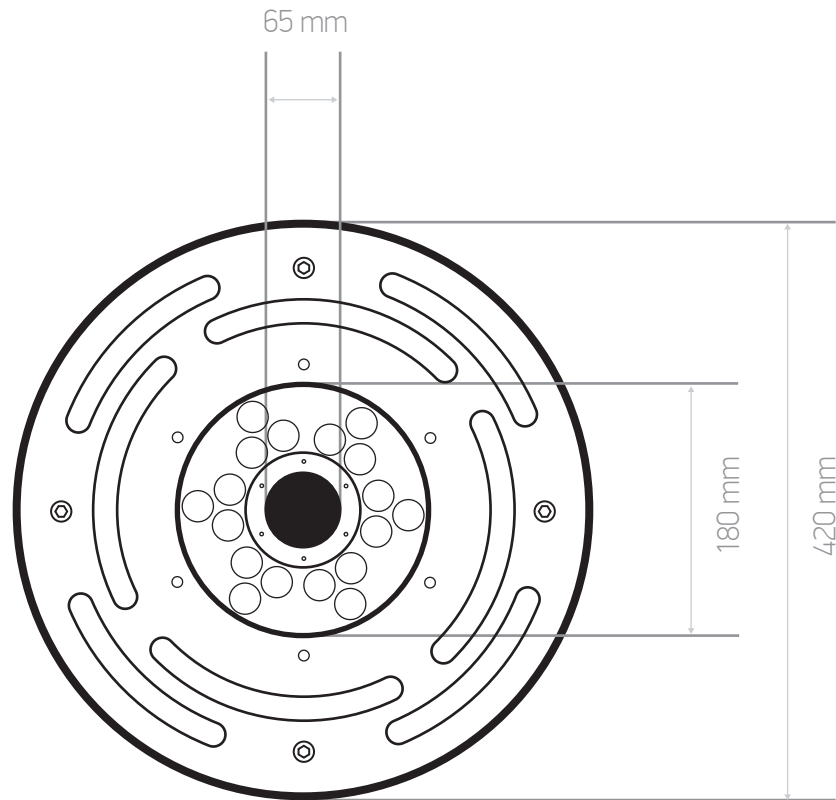


WATER SWITCH DRY DECK SET



Characteristics

Niche:	PE material, any required measurements
Cover:	5mm A 316 Stainless Steel (sufrace can be math, brushed or polished)
Light:	24V; 54W; IP68; S.S.316; "Cree" LED chips
Nozzle / cutter:	any type, recommended - "CLUSTER MULTI JET" + Water switch
Connection:	G1½"

Description

Niche can be custom made. Any measurement and diameters with any kind inlets and outlets. Cover can be custom made. Any size round or square, adopted for needed lights and other.
Light can be adopted any needed according your requirements.