



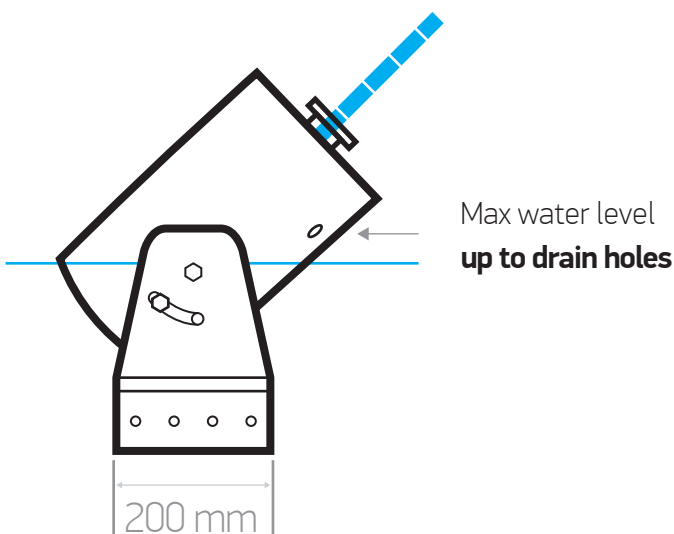
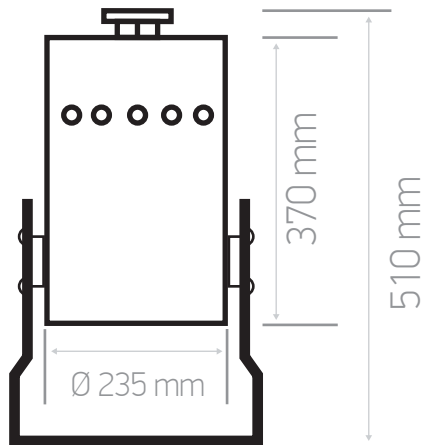
**FONTA**

**JUMPING JET**

The multi functional device "Jumping Jet" creates dynamic water arch effects with the laminar (glass-like) flow.

With the millions of RGB color combinations, it can turn your fountain into a flying rainbow, a falling star, or endless other variations of water art.

Glowing in the dark with color, this arching water can be set to be cut in different lengths. The programming variations of illumination, jet cutting and "falling star" effect are endless.



**Advantages:**

- Compact
- Lightweight
- Long laminar distance
- Heavy duty solenoids
- Electronic safety protectors for installation

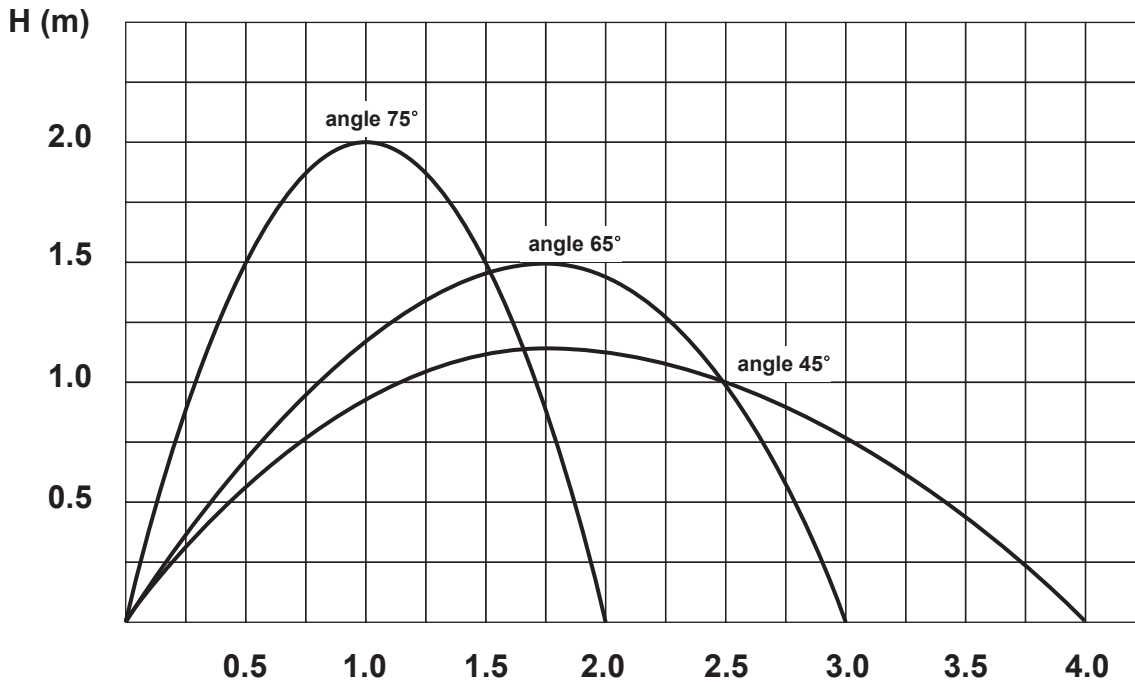
**Features:**

- Perfectly smooth laminar-flow water jet
- Stabilize water stream
- Falling star effect
- Water jet section cutting effect
- Easily controlled jet angle
- Modern design

**Characteristics:**

- Body parts from 304 grade stainless steel (316 upon request)
- Stainless steel nozzle diameter: 10 - 15 mm
- Water tube connection: 1
- Weight: 12.5kg
- Control: DMX (optional)
- Lighting: 10W RGB (optional)
- Power: 24V 40W
- Max jet distance: 4.5m

# Laminar Ballistic

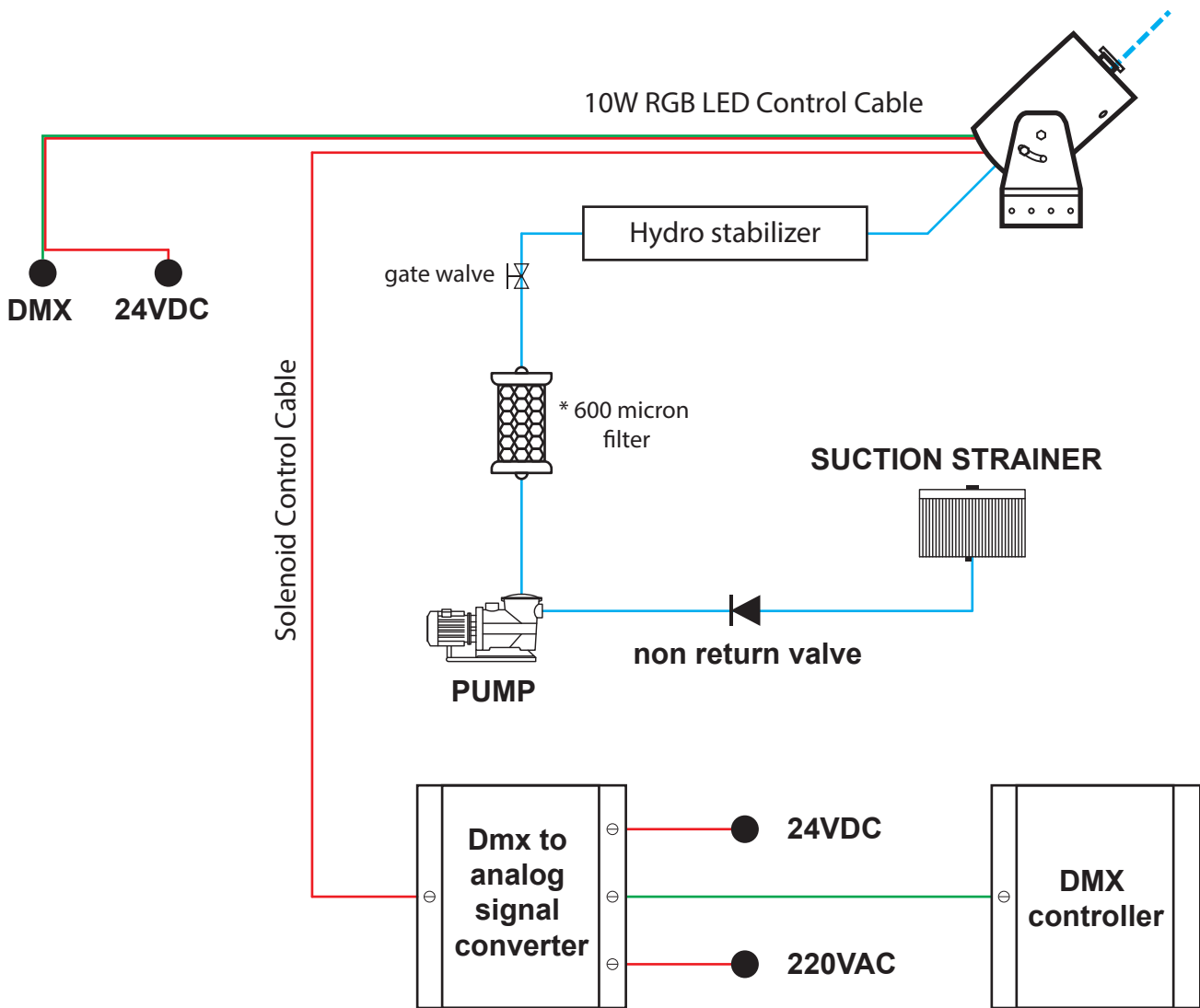


12mm nozzle orifice		
	45°	60°
2 m	19 LPM	20 LPM
2,5 m	21 LPM	23 LPM
3 m	23 LPM	25 LPM
3.5m	25 LPM	27 LPM
4 m	27 LPM	29 LPM
4.5 m	29 LPM	31 LPM
5 m	31 LPM	33 LPM

14mm nozzle orifice		
	45°	60°
2 m	26 LPM	28 LPM
2,5 m	28 LPM	31 LPM
3 m	31 LPM	34 LPM
3.5m	34 LPM	37 LPM
4 m	36 LPM	39 LPM
4.5 m	38 LPM	41 LPM
5 m	40 LPM	43 LPM

Clear laminar distance of max. 4.5m can be reached indoors when water flow is stable and water is cold.

# CONNECTION DIAGRAM



\* If water is sand filtered , micron filter is unnecessary.

Water has to be treated with chemicals.

