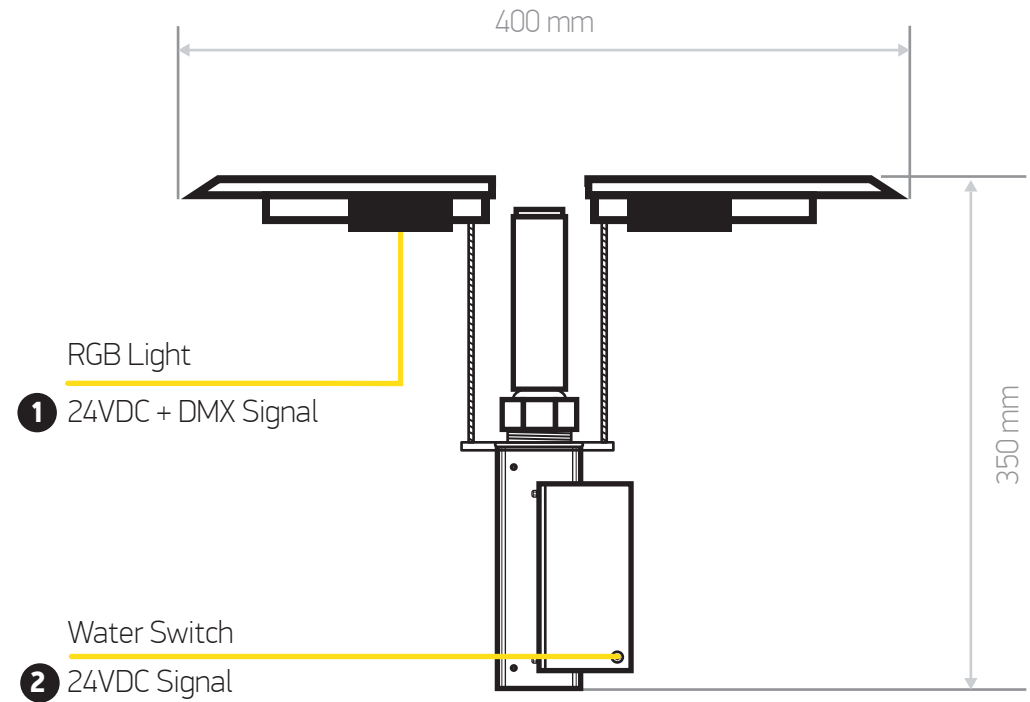
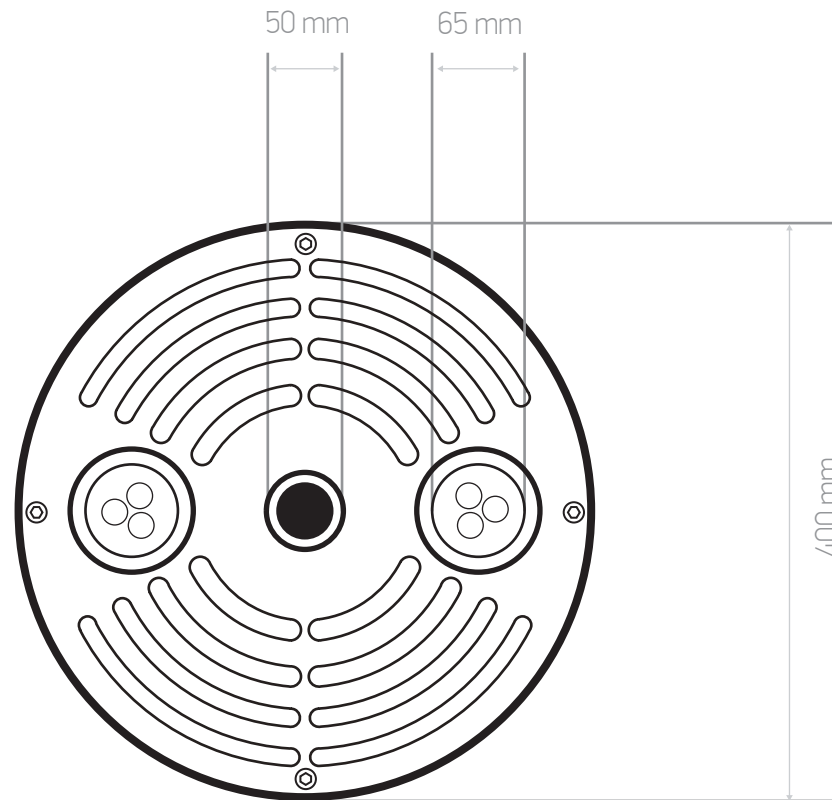




FONTA

WATER SWITCH DRY DECK UNIT

Optimum choice considering to quality, economy, fast service and design



Characteristics

- All made of 304 Stainless Steel (316 on request)
- Cover 5mm (6mm on request)
- Twin 9W RGB DMX LED lights
- Can operate under water (water level independent)
- Inlet and outlet connections: G 1 1/2"
- Power 24VDC 16W (12VDC on request)
- No additional filter needed
- No water hammer fault possibility
- Water flow: 140 L/min max