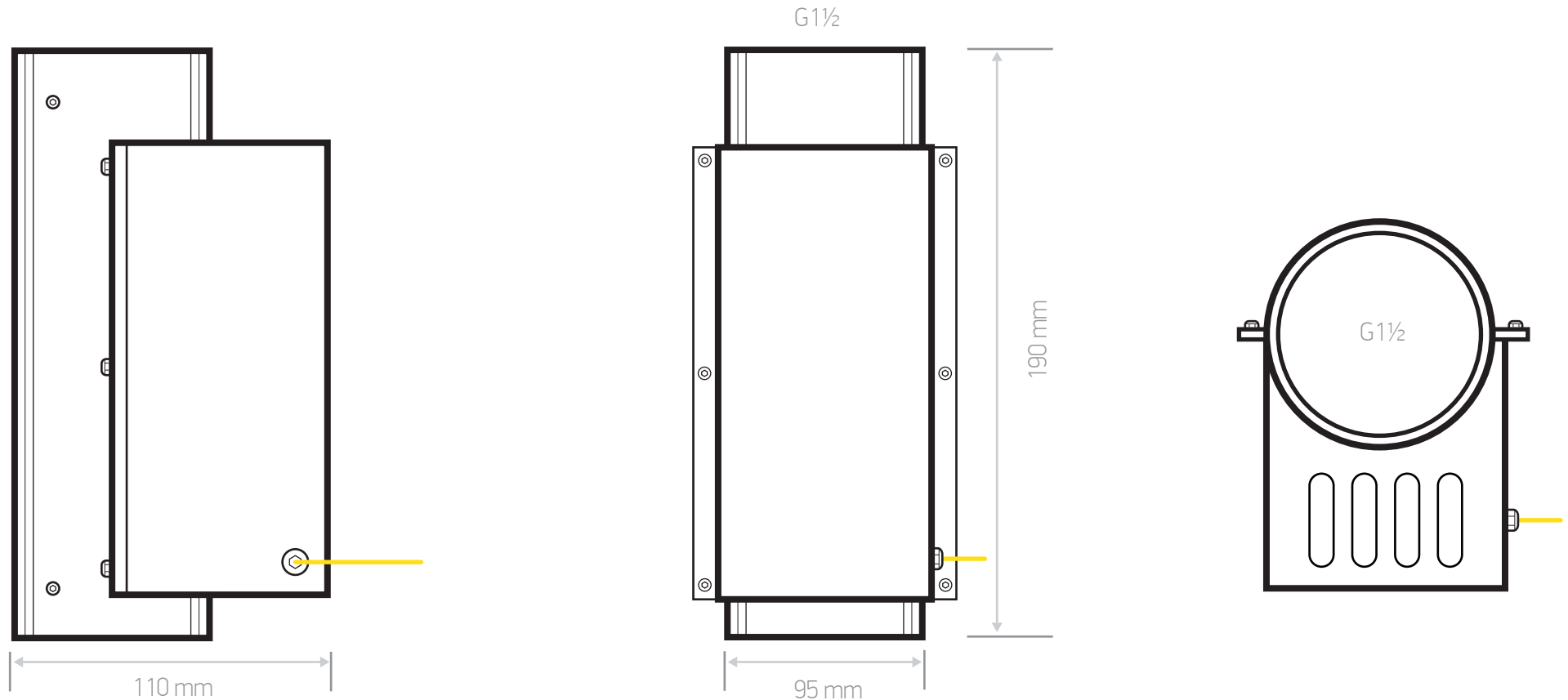




FONTA

WATER SWITCH 1½"

Optimum choice considering to quality, economy, fast service and design



Characteristics

- Body: 304 Stainless Steel (316 on request)
- Can operate under water (water level independent)
- Operational in vertical and horizontal positions
- Suitable for all nozzles
- Inlet and outlet connections: G1½"
- Power 24VDC 16W (12VDC on request)
- No additional filter needed
- No water hammer fault possibility
- Water flow: 140 L/min max