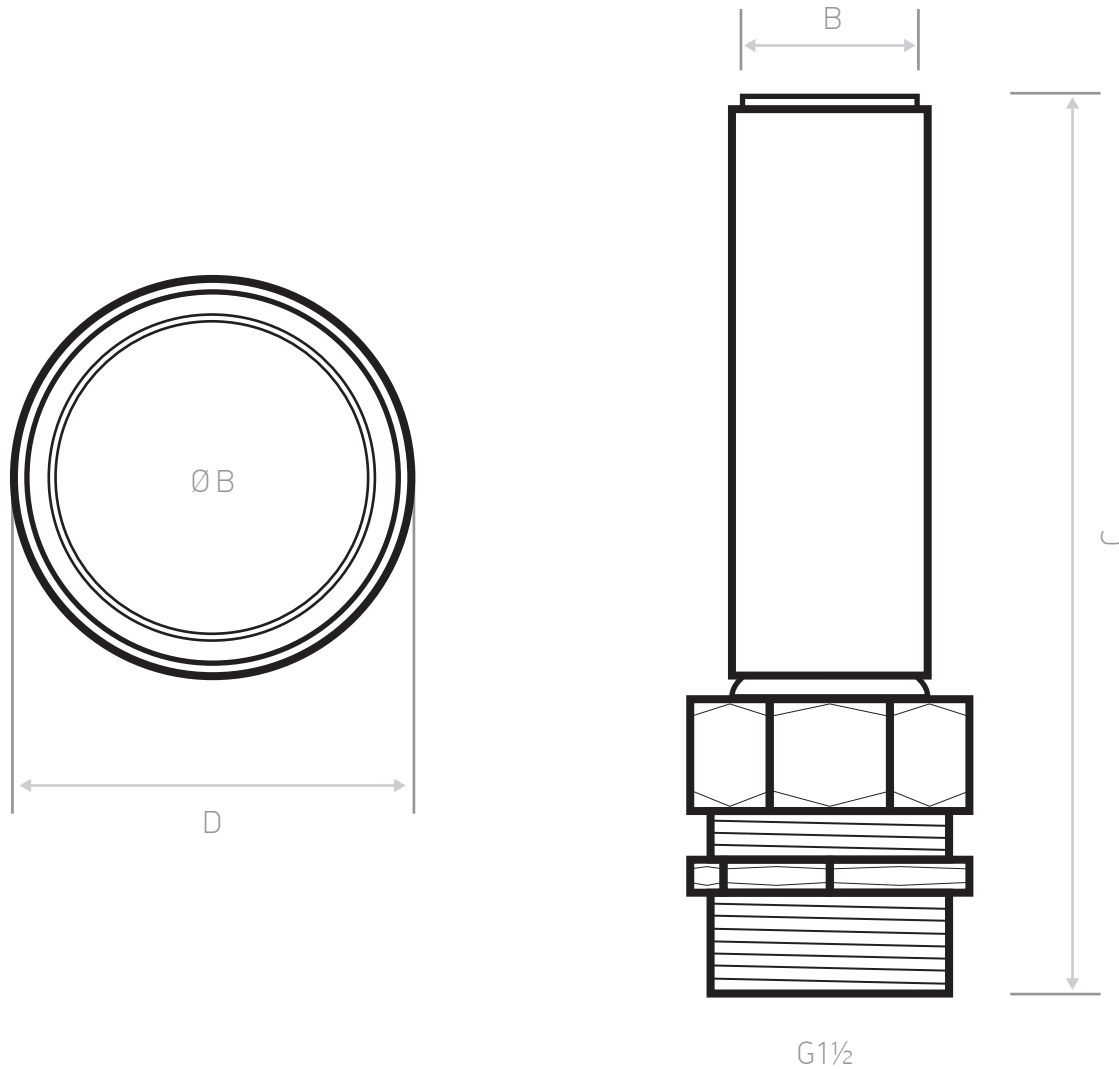




**FONTA**

# SWIVEL FOAM JET NOZZLE

Optimum choice considering to quality, economy, fast service and design



## Characteristics

- Ball inside for better air mixture
- Built with strainer
- Easy adjustable  $\pm 12^\circ$  swivel
- External thread
- Stainless steel material

A	B	C	D
G 1" - G 1½"	30	160	40
G 1½" - G 2"	45	260	57