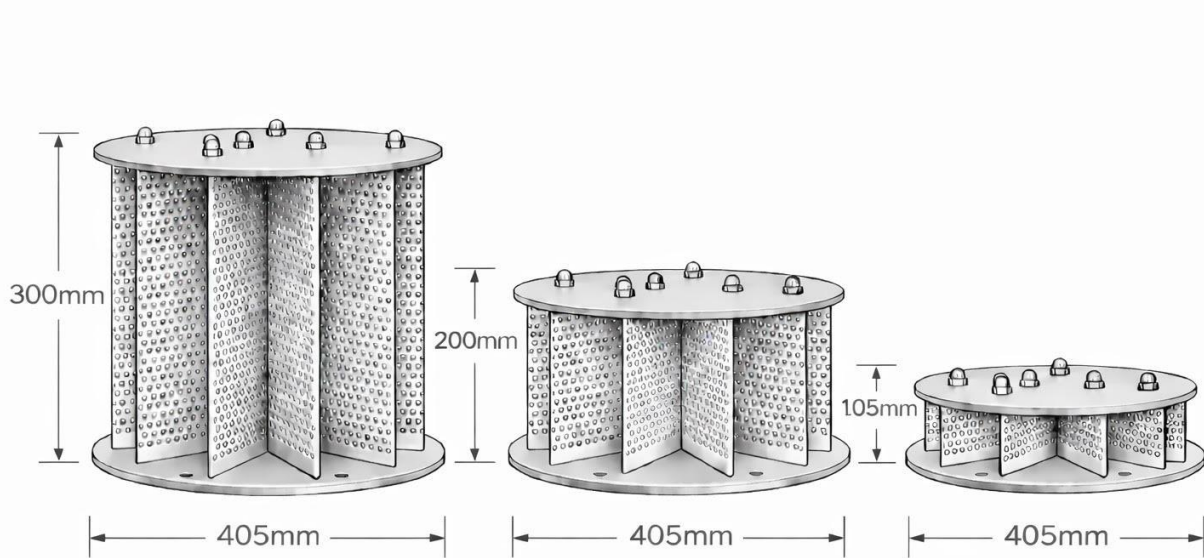




FONTA

Suction Strainer

Suction Strainer



Model:	Connection type	Opening size	Flow rate
H300	<ul style="list-style-type: none"> • Open 235mm 	Ø 3mm	2900 L/min
		Ø 5mm	3100 L/min
H200	<ul style="list-style-type: none"> • Open 115mm • 4" threaded 	Ø 3mm	1900 L/min
		Ø 5mm	2050 L/min
H105	<ul style="list-style-type: none"> • Open 90mm • 3" threaded 	Ø 3mm	950 L/min
		Ø 5mm	1000 L/min

Specification:

- 304 Stainless steel body (316 upon request)
- Easy installation and cleaning
- Huge strainer surface
- Upon request, parameters can be customized.

