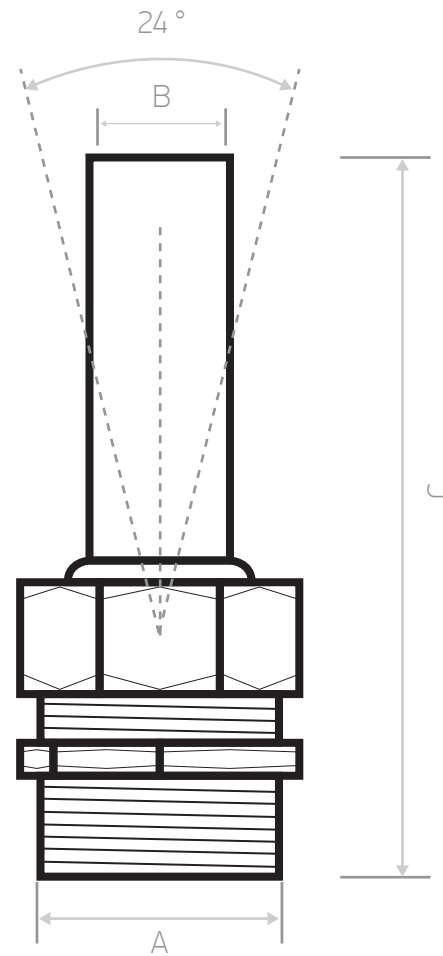
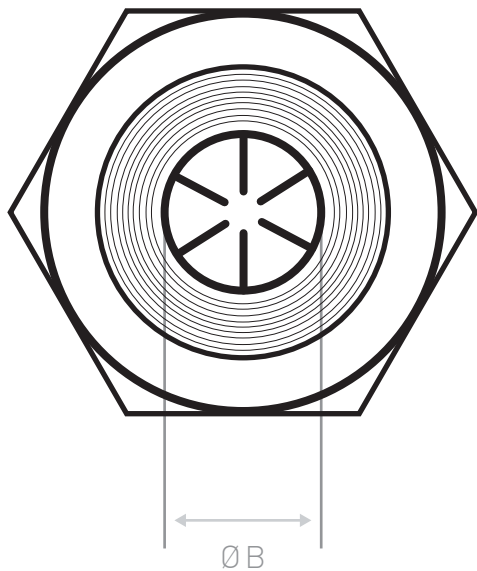


# SMOOTH JET NOZZLE



## Characteristics

- Built with strainer
- Strainer removable from the top, for easy cleaning
- Built in  $\pm 24^\circ$  swivel
- Cone type tube
- Made of A316 S.S.

	A	G 1"	G 1"	G 1"	G 1½"	G 1½"	G 1½"
<b>B</b>	10 mm	12 mm	14 mm	16 mm	18 mm	20 mm	
<b>C</b>	125 mm	125 mm	125 mm	125 mm	150 mm	150 mm	
<b>Jet Height</b>	[Lpm]	[Lpm]	[Lpm]	[Lpm]	[Lpm]	[Lpm]	[Lpm]
1.0 m	23	36	45	62	68	92	
1.5 m	28	42	57	74	83	111	
2.0 m	33	48	69	87	99	129	
2.5 m	41	53	77	96	110	142	
3.0 m	48	59	85	106	123	157	
4.0 m	57	68	101	124	142	180	
5.0 m	63	79	117	138	156	198	
6.0 m	69	91	130	151	167	221	
7.0 m	-	102	142	165	182	238	
8.0 m	-	-	155	177	206	255	
10.0 m	-	-	-	197	234	301	
12.0 m	-	-	-	-	261	332	
14.0 m	-	-	-	-	287	364	