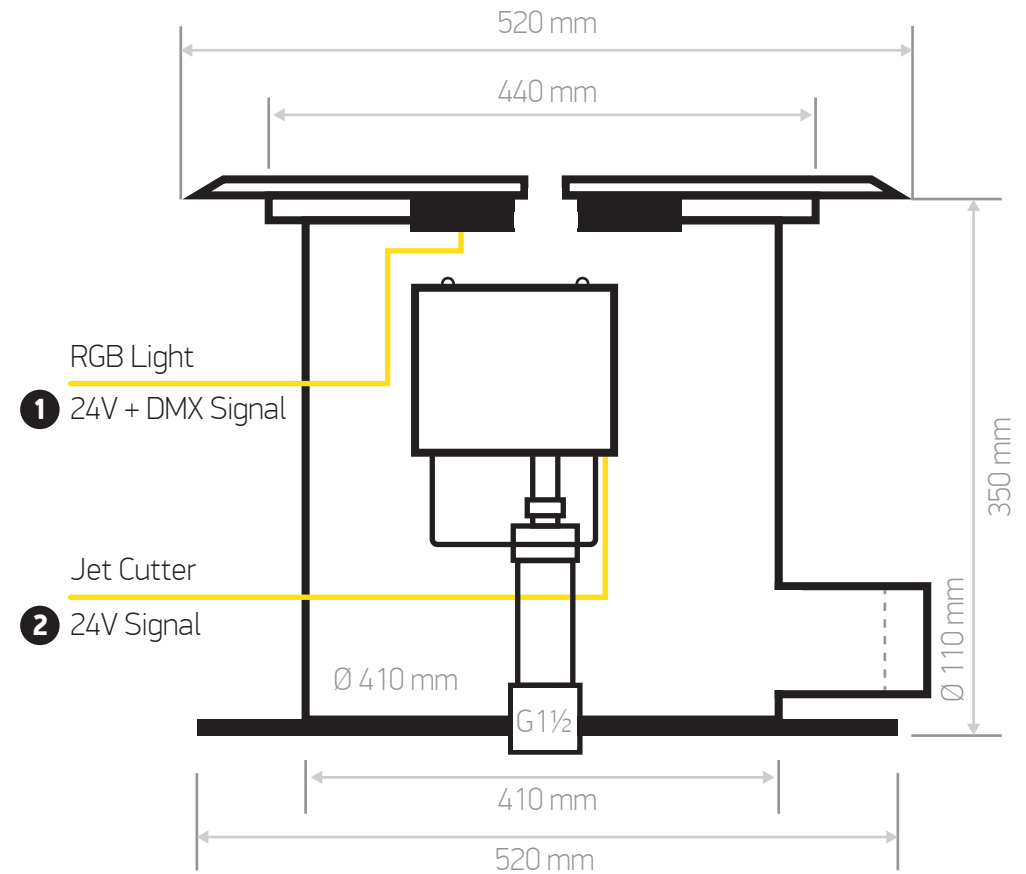
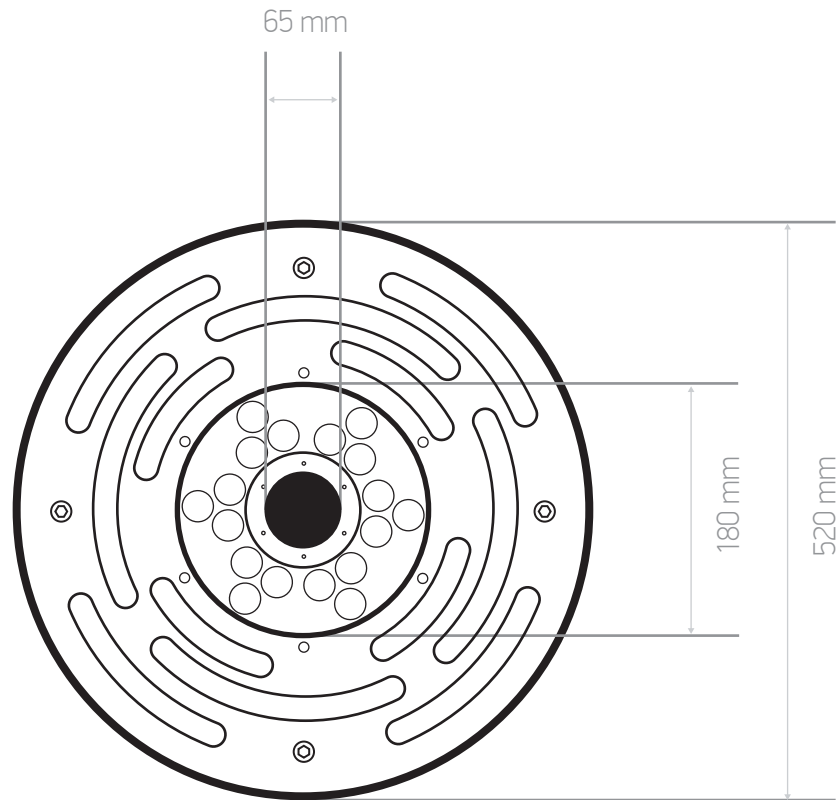


# JET CUTTER DRY DECK SET



## Characteristics

Niche:	PE material, any required measurements
Cover:	5mm A 316 Stainless Steel (surface can be math, brushed or polished)
Light:	24V; 54W; IP68; S.S.316; "Cree" LED chips
Nozzle / cutter:	smooth or foaming Jet nozzles + Jet cutter V.2
Connection:	G1½"

## Description

Niche can be custom made. Any measurement and diameters with any kind inlets and outlets. Cover can be custom made. Any size round or square, adopted for needed lights and other.

Light can be adopted any needed according your requirements.