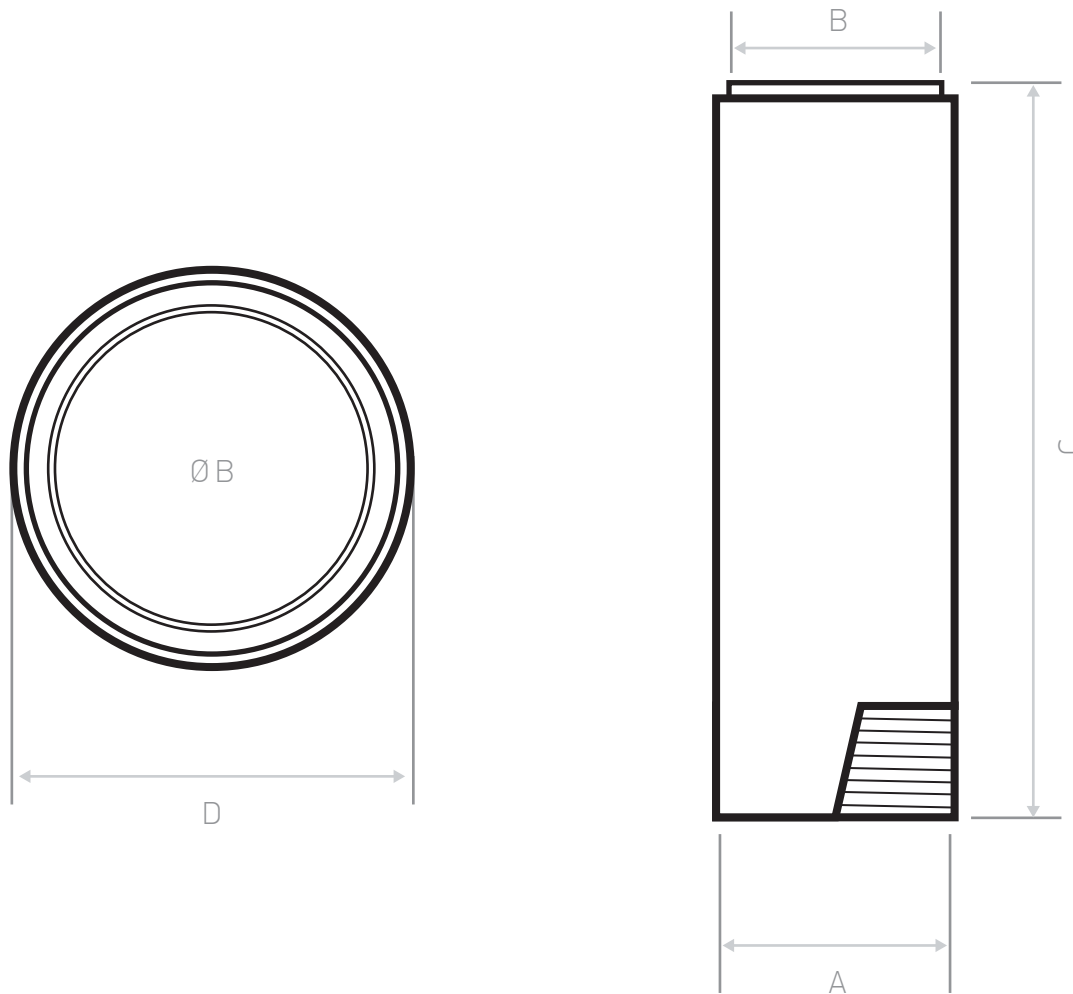




FONTA

FOAM JET NOZZLE

Optimum choice considering to quality, economy, fast service and design



Characteristics

- Ball inside for better air mixture
- Internal thread
- Built with strainer
- Stainless steel material

	A	G 1"	G 1½"	G 2"
	B	30 mm	45 mm	57 mm
	C	90 mm	170 mm	190 mm
	D	40 mm	57 mm	70 mm
Jet Height	[Lpm]	[Lpm]	[Lpm]	
1.0 m	77	159	242	
1.5 m	87	178	279	
2.0 m	99	198	317	
2.5 m	109	222	366	
3.0 m	122	247	415	
3.5 m	136	276	460	
4.0 m	151	308	506	
5.0 m			574	